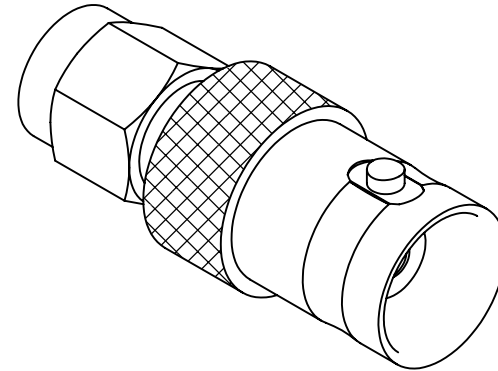
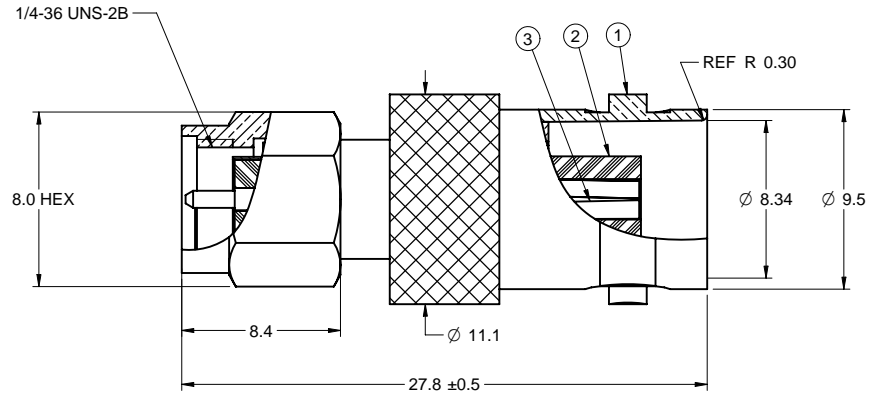
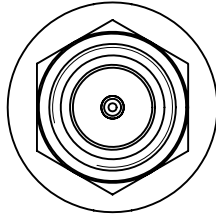


PART NUMBER	ITEM ① BODY	ITEM ② INSULATOR	ITEM ③ CONTACT
29-3855	BRASS NICKEL PLATED	DELTRIN	BERLLIUM GOLD PLATED

DRAWING NO.
29-3855

REVISIONS					
RELEASE FOR QUTATION					
A	04-17-06	Y	U	W	T
CHANGE OVERALL LENGTH TOL. ADD NOTES 4 & 5					
B	12-28-06	Z	W	T	



NOTES:

- ELECTRICAL SPECIFICATIONS
 BNC IMPEDANCE: 50 OHMS NOMINAL
 WORKING VOLTAGE: 500 Vrms MAX AT SEA LEVEL
 DIELECTRIC WITHSTANDING VOLTAGE: 1500 vrms AT SEA LEVEL
 CORONA LEVEL: 375 VOLTS MINIMUM AT 70,000 FEET
 CONTACT RESISTANCE: OUTER-0.2 MILLIOHMS MAXIMUM
 CENTER-2.1 MILLIOHMS MAXIMUM
 INSULATION RESISTANCE: 5000 MEGOHMS MINIMUM
- MECHANICAL SPECIFICATIONS
 DURABILITY: 500 CYCLES MIN
 FORCE TO ENGAGE/DISENGAGE: 3 LBS MAX
- ENVIRONMENTAL SPECIFICATIONS
 RECOMMENDED TEMPERATURE RANGE: -55 °C TO +85°C
 MOISTURE RESISTANCE: MIL-STD-202
- PRODUCT SHOULD BE RoHS COMPLIANCE
- PACKAGING REQUIREMENT FOLLOWS ENGINEERING DOCUMENT P/N 836-4020001XX

THIS DRAWING TO BE INTERPRETED
PER ANSI Y 14.5M - 1994

COMPANY CONFIDENTIAL

TOLERANCE UNLESS OTHERWISE SPECIFIED		DRAWN BY GARY.ZHG	DATE 12-28-06
DECIMALS	mm	CHECKED BY LINDA.WU	DATE 12-28-06
X	+ 0.5	APPROVED BY THOMAS	DATE 12-28-06
X.X	+ 0.2		
X.XX	+ 0.1		
ANGLES	+ 0.5°	U/M	mm

EMERSON Network Power		Connectivity Solutions	
TITLE ADAPTER ASSEMBLY, SMA PLUG TO BNC JACK			

THIS DRAWING WAS PRODUCED BY COMPUTER, DO NOT SCALE DRAWING OR UPDATE MANUALLY.		SHEET 1 OF 1	DRAWING NO. 29-3855	SIZE C
--	--	-----------------	------------------------	-----------